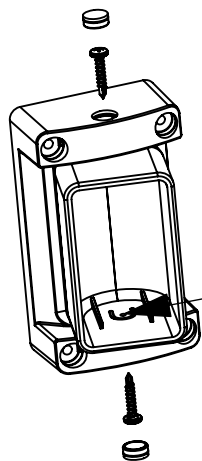
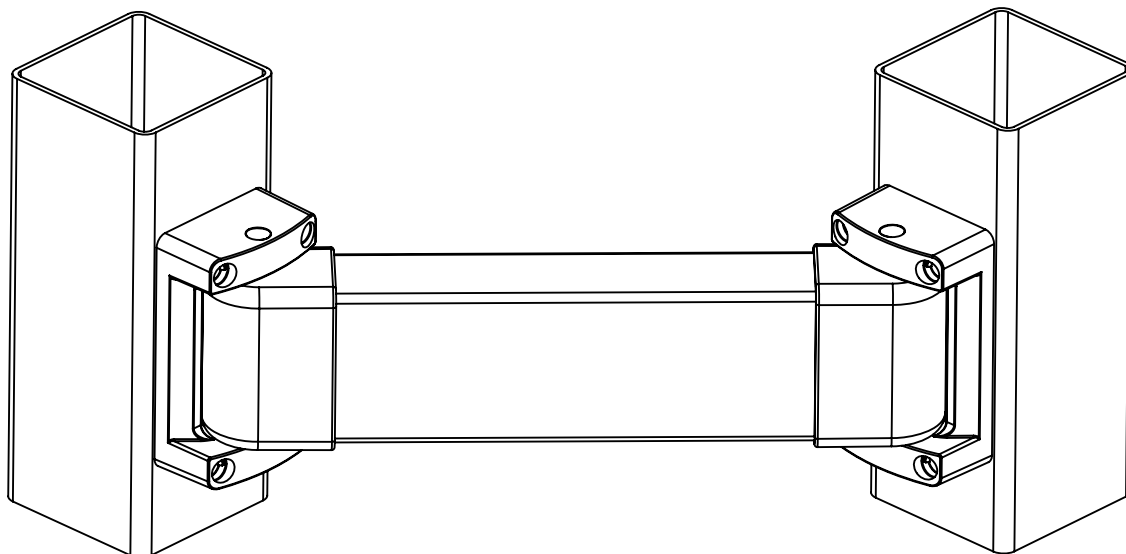


HORIZONTAL ADJUSTABLE BRACKET INSTALLATION INSTRUCTIONS

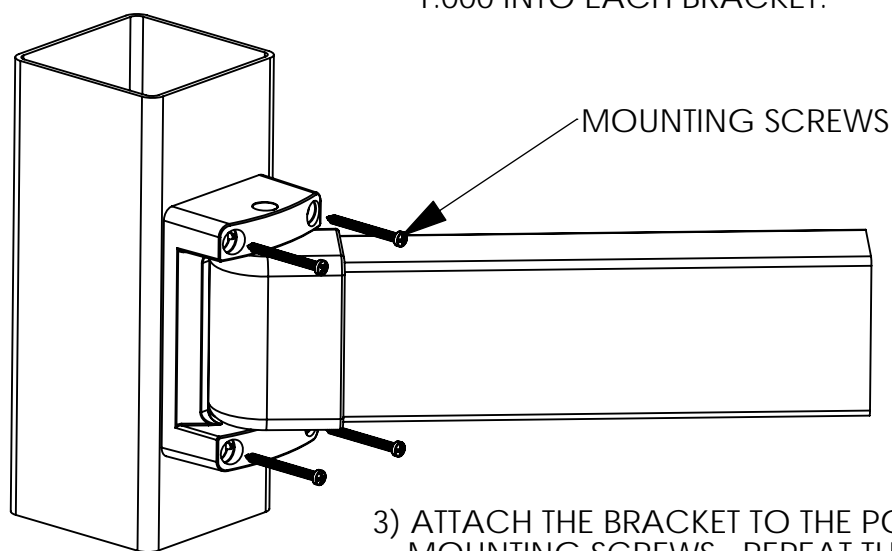


- 1) IN EACH SIDE OF BOTH BRACKETS , INSTALL THE SUPPLIED SCREWS INTO THE PIVOT POINT. THEN INSTALL THE SUPPLIED HOLE PLUG TO COVER THE SCREWS FROM VIEW.

PIVOT POINT



- 2) DRY-FIT THE RAIL IN BETWEEN THE POSTS TO DETERMINE THE PROPER LENGTH TO CUT THE RAIL. NOTE: THE RAIL PROTRUDES 1.000 INTO EACH BRACKET.

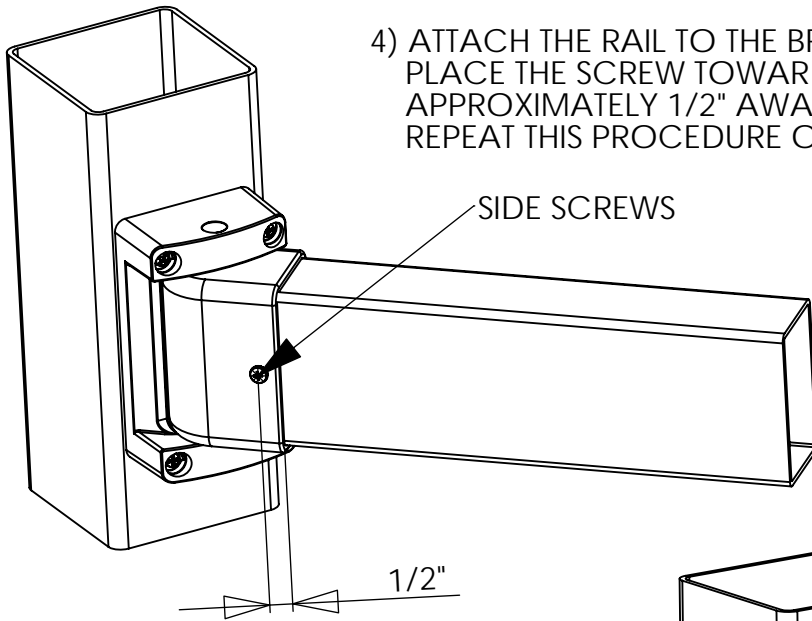


MOUNTING SCREWS

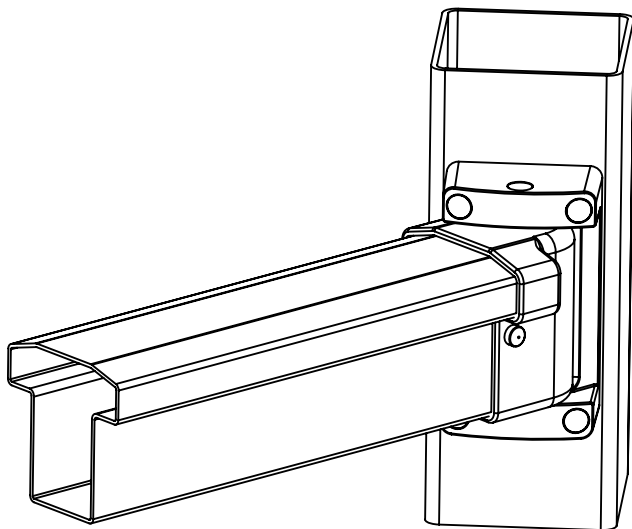
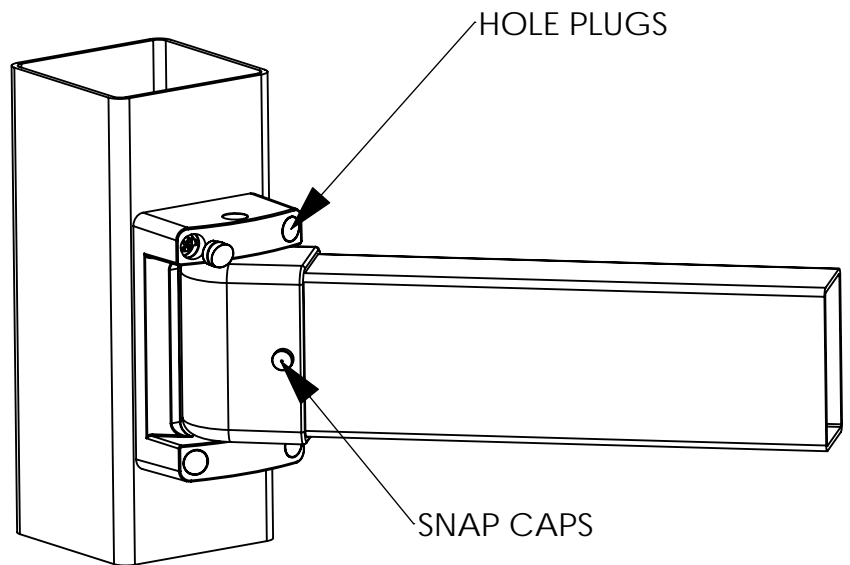
- 3) ATTACH THE BRACKET TO THE POST USING THE SUPPLIED MOUNTING SCREWS. REPEAT THIS PROCEDURE ON THE OTHER BRACKET.

HORIZONTAL ADJUSTABLE BRACKET INSTALLATION INSTRUCTIONS

- 4) ATTACH THE RAIL TO THE BRACKET USING THE SUPPLIED SIDE SCREWS. PLACE THE SCREW TOWARDS THE CENTER OF THE BRACKET APPROXIMATELY 1/2" AWAY FROM THE FRONT FACE OF THE BRACKET. REPEAT THIS PROCEDURE ON THE OPPOSITE SIDE OF THE BRACKET.



- 5) COVER THE MOUNTING SCREWS AND THE SIDE SCREWS WITH THE SUPPLIED HOLE PLUGS AND SNAP CAPS.



NOTE: THE INSTALLATION PROCEDURE IS IDENTICAL FOR A T-RAIL APPLICATION.